



FOR YOU AND THE FAMILY
BUSHWAKKA
 ADVENTURE TRAILERS
 AFRICA
 ESTABLISHED 1997

Bhoma 4 OFF-ROAD CARAVAN "Born of this EARTH"



SPACIOUS LUXURY INTERIOR
 - SLEEPS FOUR TO FIVE



COMPACT DESIGN BUILT FOR OFF-ROAD



DOUBLE BUSH-FAN 360° AWNING
 GREAT OUTDOOR PROTECTION

Sundowner 2 OFF-ROAD CARAVAN "Follow your sun"



SPACIOUS INTERIOR
 - SLEEPS TWO



COMPACT LIGHT-WEIGHT DESIGN
 BUILT FOR OFF-ROAD



EASY TO SET UP BUSH FAN AWNING
 OVER LARGE KITCHEN AREA

Safari Weekender "Lightest in its class"



COMPACT DESIGN, OFFERING
 PLENTY OF STORAGE



SPACIOUS FAMILY TRAILER
 TENT OPTIONS



SUPERB KITCHEN DESIGN

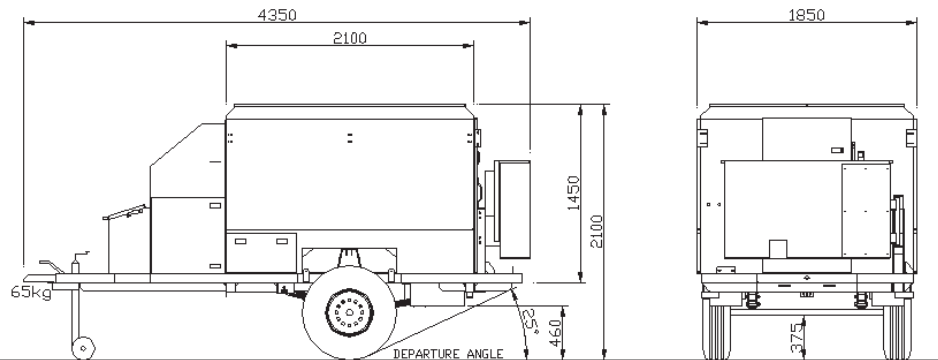


13 KRONE STREET • PO BOX 349, WORCESTER 6849 • SOUTH AFRICA
 Tel: +27 (0)23 342 3438 • Cell: +27 (0)82 773 7544 • +27 (0)82 442 1648
 E-mail: sales@bushwakka.co.za • www.bushwakka.co.za
 www.youtube/4x4campingtrailer

Bhoma Off-Road Caravan

Construction: 3CR12 stainless steel and aluminium body with 3CR12 chassis.

Heavy duty progressive rated 1,1 m leaf springs, with Safari gas shocks.

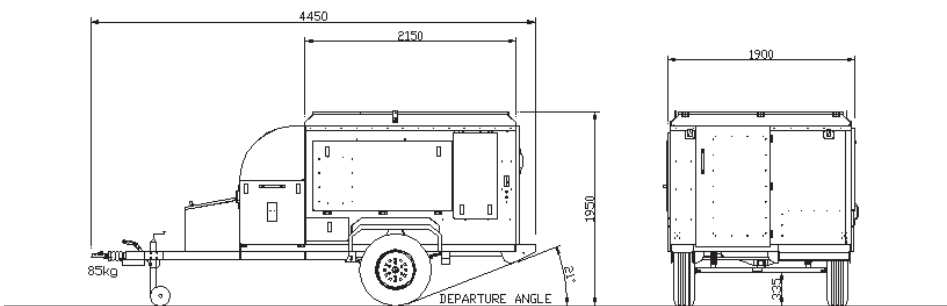


- Braked axle : 2500 kg
- Spring rating : 2200 kg
- Tarre : 1300 kg
- GVM : 1700 kg
- Nose weight : 120 kg

Sundowner Off-Road Caravan

Construction: 3CR12 stainless steel chassis. Stainless steel and aluminium body.

Heavy duty leaf springs with Safari gas shocks.

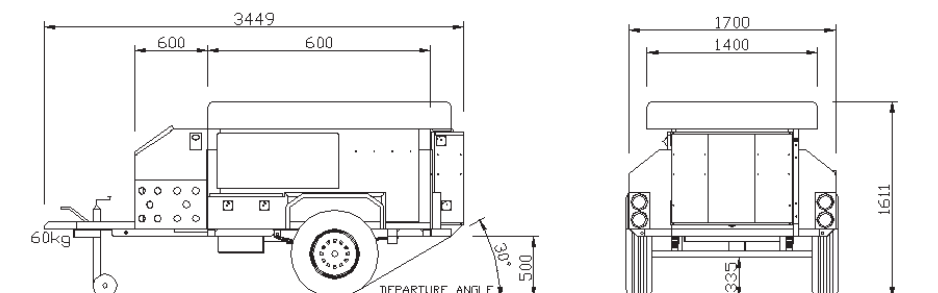


- Braked axle : 1800 kg
- Spring rating : 2000 kg
- Tarre : 1100 kg
- GVM : 1500 kg
- Nose weight : 120 kg

Safari Weekender Off-Road Trailer

Load Box Construction : Electro-galvanised steel

Heavy duty leaf springs with Safari gas shocks.



- Braked Axle : 1800 kg
- Spring rating : 2000 kg
- Tarre : 800 kg
- GVM : 1500 kg
- Nose weight : 60 kg

