

**Lightweight compact off-road
camping trailer**

Bushwakka Weekender



Compact design, offering plenty of storage



Good off-road ability



Spacious trailer tent options



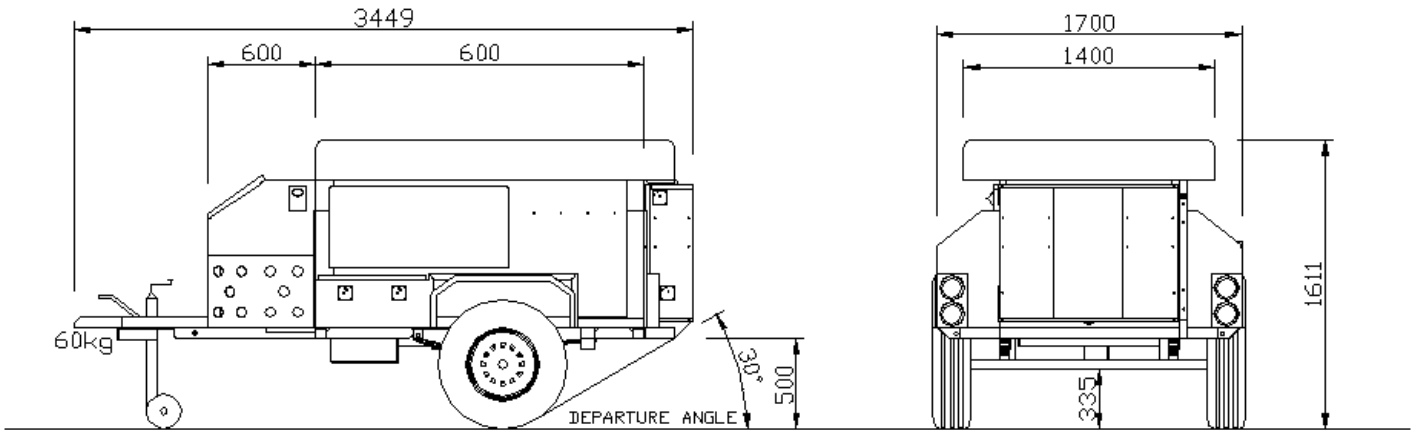
Well designed kitchen



LIGHTEST IN ITS CLASS

13 KRONE STREET • PO BOX 349, WORCESTER 6849 • SOUTH AFRICA
Tel: +27 (0)23 342 3438 • Cell: +27 (0)82 773 7544 • Fax: +27 (0)23 342 8469
E-mail: sales@bushwakka.co.za • www.bushwakka.co.za

Safari Weekender



Load Box Construction : Electro-galvanised steel

Length = 1.8 m Width = 1 m Height = 0.7 m

Braked Axle : 1.8 ton

Spring rating : 2 ton

Tarre : 450 kg

GVM : 1500 kg

Nose weight : 60 kg

Volumetric capacity : 2000l